

SC30-Q56ZRW-465

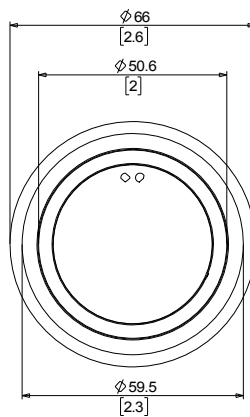
SafeCAP SC30-Q56ZRW-465



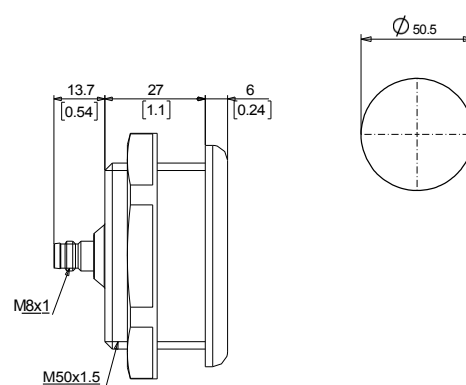
Product image



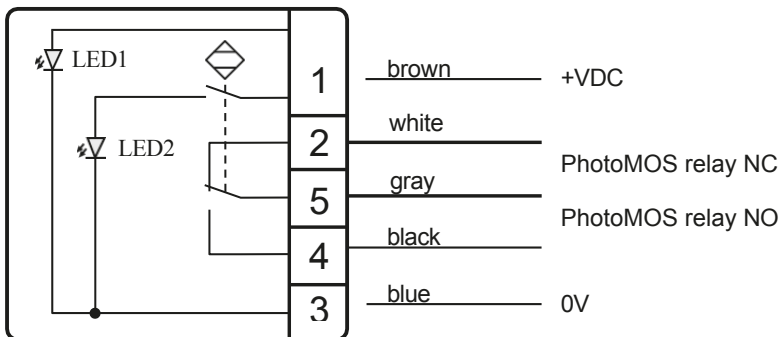
Dimensional drawing



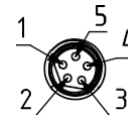
Drilling pattern



Wiring diagram



M8 connector, 5-pin



SC30-Q56ZRW-465

SafeCAP SC30-Q56ZRW-465



Technical Data

Operating voltage	— 24 V (19.2...28.8 V)
Contact rating	100 mA (70 mA at 75 °C)
Output	PhotoMOS relay: normally open, normally closed
Output pulse	Continuous signal upon actuation
LED 1	Green LED
LED 2	Yellow LED
Reverse polarity protection	Yes
Short-circuit protection	Normally open, yes; normally closed, no
Current consumption	Max. 20 mA at 24 V
Operating temperature	-25°C (-13°F) ... +75 °C (167 °F)
IP rating	Front panel IP68, connector IP67 ¹⁾
Actuation type	Capacitive
Actuation force	No actuation force required
Rated insulation voltage	32 V
Turn-off delay T _a	Max. 50 ms
Turn-on delay	Max. 30 ms
MTTF _d	1,123 years
PFH ^[h⁻¹]	2.47E-10
Category (DIN EN 13849-1)	up to 4 ²⁾
Performance level	up to PLe ²⁾
DC _{avg}	0%, up to 99% ²⁾
Service life TM	20 years

1) IP67 at the connector end when the cable is properly connected

2) In conjunction with a safety logic unit in accordance with DIN EN 13849-1, -2, DIN EN 13851, with a DC of at least 99% and an MTTF_d > 31 years or a PFH_d < 9* 10⁻⁸

SC30-Q56ZRW-465

SafeCAP SC30-Q56ZRW-465

**⚠ WARNING**

Improper installation of safeCAP SC30!

A two-hand control system that is not installed in accordance with standards or that is not functioning properly can cause fatal or life-threatening injuries.

- ⇒ Select the mounting surfaces for the safeCAP SC30 in accordance with the dimensions and clearances specified in DIN EN ISO 13851:2019.
- ⇒ Protect the safeCAP SC30 against accidental activation.
- ⇒ Before working on the machine, check that the safeCAP SC30 is functioning properly.

Intended Use

In combination with safety relays, the safeCAP SC30 is used for the safety-related enabling and disabling of a safety circuit. safeCAP SC30 is used to protect persons on machinery with hazardous closing movements. safeCAP SC30 has been tested with the following safety relays: MCR 225 and PNOZ s6. The safety-related enabling and disabling of a safety circuit is the responsibility of the operator.

⚠ WARNING

safeCAP SC30 is not suitable for machine processes where enabling and disabling a safety circuit is required for a period longer than 2 minutes.

Reasonably foreseeable misuse

Any use other than that specified in the chapter "Intended Use" or exceeding the scope of that chapter is considered improper.

The pushbutton is not suitable for:

- use as a two-hand control without the aforementioned relays or when using an equivalent circuit without independently calculating the Performance Level in accordance with EN ISO 13849-1:2023.
- Enabling machine processes for a duration of more than 2 minutes.
- use as a two-hand control without validation of the entire system.
- use with cables between the SC30 and safety relays longer than 30 m.
- Use as a two-hand control in combination with any other pushbutton.
- Use as an emergency stop control device.

SC30-Q56ZRW-465

SafeCAP SC30-Q56ZRW-465



- Use in potentially explosive atmospheres.
- outdoor use.