

**Content:** [Short description / Technical data \(Page 1\)](#)  
[Configuration help \(Page 2\)](#)  
[Additional information / Connection diagram \(Page 3 & 4\)](#)



Capacitive CHT4 SENSORswitches have a large touch operating surface of 63 mm and are designed for screw mounting.

Depending on the application, customers in the field of automation and building technology choose the CHT4 SENSORswitch for flush installation, optionally with a robust metal housing or with glass fibre-reinforced polycarbonate cover ring.

In private and public transport, the CHT4 SENSORswitch is used as a door opening SENSORswitch. Equipped with Braille, raised pictograms, 16 bright LEDs, signal tone and vibration, the CHT4 is particularly user-friendly for persons with limited mobility. Other areas of use are emergency call and information pillars at train and bus stations and taxi stands.

Please find below the most important features listed:

- Ø 100 mm total diameter
- Ø 27 - 60 mm mounting hole required
- 10mm height
- TSI-PRM compliant: Pictograms and braille available; optical feedback through LEDs
- V-mounting
- Customization through symbols and colours of the cover ring
- Optional: Acoustic feedback (signal tone) / tactile feedback (vibration)
- Switches on touch - high operating comfort, no pressure necessary

CAPTRON can provide individual advice to enable you to choose the perfect product from the CHT4 series for the required specifications and applications.

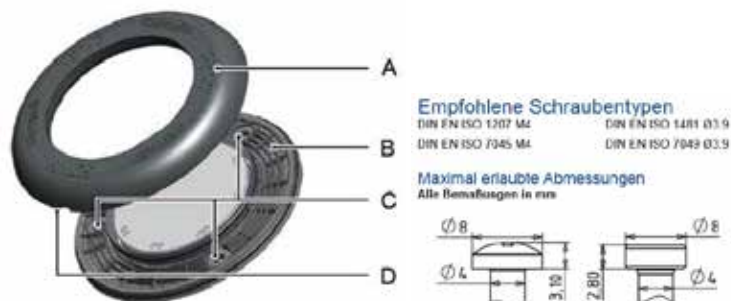
Please contact us:

Phone: +49 (0)8142 / 44 88 – 160  
 E-Mail: [sales@captron.com](mailto:sales@captron.com)

**Legend:**

- (A) = Coloured cover ring
- (B) = Mounting flange
- (C) = Mounting holes
- (D) = Groove on the back of the coloured cover ring

Übersichtsgrafik



Technical data at 24 V and 20 °C:			
Supply voltage:	DC 24V (16,8 ... 32V)	Reverse polarity protection:	Protection of all lines
	DC 12 V (10,8 ... 14V) - Option -	Short-circuit protection:	Short-circuit and overload protection
Load current:	max. 400 mA	Voltage drop:	max. 3 V at 400 mA
Output:	PNP-NO	Current consumption:	max. 30 mA at 24V DC
	PNP / NPN changeable by reversing polarity (Option)	Operation temperature:	-30 ... +80°C
Output signal:	approx. 300ms („Dynamic“)	Degree of protection (IP)	Frontside IP69K
LED 1:	8 green LEDs	Type of operation	Capacitive
LED 2:	8 red LEDs	Operation force:	No operation force required



## Configuration help CHT4-2 (STANDARD)

Type code 1 – with standard coloured cover ring <sup>1</sup>:

CHT4	-	C1	C2	C3	C4	O1	-	C5	/	-	C6	/	O2
------	---	----	----	----	----	----	---	----	---	---	----	---	----

Example: CHT4 - 2 5 1 P - H / TG - SR

Type code 2 – with TSI-PRM compliant coloured cover ring <sup>1</sup>:

CHT4	-	C1	C2	C3	C4	O1	-	C5	/	-	C6	/	T6	/	O2
------	---	----	----	----	----	----	---	----	---	---	----	---	----	---	----

### C1 – Mounting / version of the coloured cover ring <sup>2</sup>

Code	Description
2	V-mounting / Standard coloured cover ring
2	V-mounting / TSI-PRM compliant cover ring *
B	V-mounting / Blank coloured cover ring
-	-
-	-

\* additionally requires the option "O2 -> T6"!

### C2 - Type of connection <sup>4</sup>

Code	Description
1	Cable + connector AMP 6,3 (Pin-assignment: 1-2-4-3) *
4	Cable + connector AMP 6,3 (Pin-assignment: 1-4-2-3) *
5	Connector M8
6	Connector JST
7	Single strands 200mm with ferrules

\* only available with the LED function "Semi-Automatic (4-pin)"!

### C3 – Colour of the coloured cover ring

Code	Description	
0	Traffic red (RAL 3020)	
1	Traffic green (RAL 6024)	
2	Sky blue (RAL 5015)	
5	Traffic yellow (RAL 1023)	
6	Traffic black (RAL 9017)	
H	Traffic blue (RAL 5017)	
C	Traffic white (RAL 9016)	
K	Traffic grey A (RAL 7042)	

### C4 - LED-control <sup>3</sup> / Numbers of pins / Supply voltage

Code	Description
P	Semi-Automatic / 4-pin / PNP-NO / DC 24V
B	Manual / 5-pin / PNP-NO / DC 24 V
W	Automatic / 3-pin / PNP/NPN-NO changeable by reversing polarity * / DC 24V
G	Semi-Automatic / 4-pin / PNP-NO / DC 12V
-	-

\* currently only available with the connection type "7- single strands"!

### O1 – Option 1 / Acoustic and tactile feedback

Code	Description	
S	Acoustic feedback (signal tone) *	
V	Tactile feedback (vibration) *	
SV	acoustic + tactile feedback *	

\* only available with the LED functions "P - Semi-Automatic" and "B - Manual"!

### C5 - Symbol on switch surface

Code	Description	
30	White surface	
H	Hand (green on white)	

For further symbols please see our Symbol list ([Link](#)) \*

\* all symbols marked as „Standard“ are already available from 1 pieces / order up without any surcharge.

### C6 – LED colours (LED1 – LED2)

Code	Description	
TG-SR	Green (LED1) / Red (LED2) - Standard	
TG-YW	Green (LED1) / Yellow (LED2)	
BU-SR	Blue (LED1) / Red (LED2)	

### O2 - Option 2 / Switching distance

Code	Description
-(w/o)	Standard switching distance
CP12	Increased switching distance
-	-


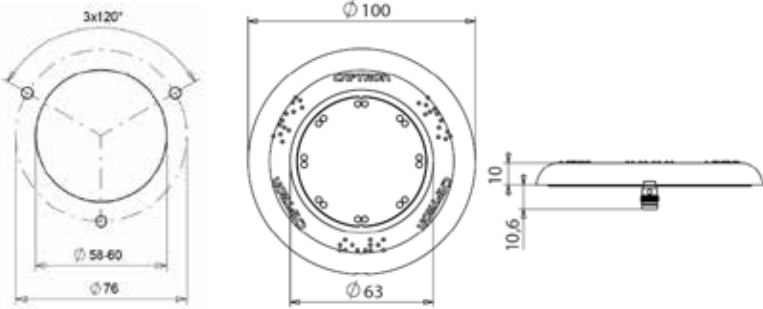

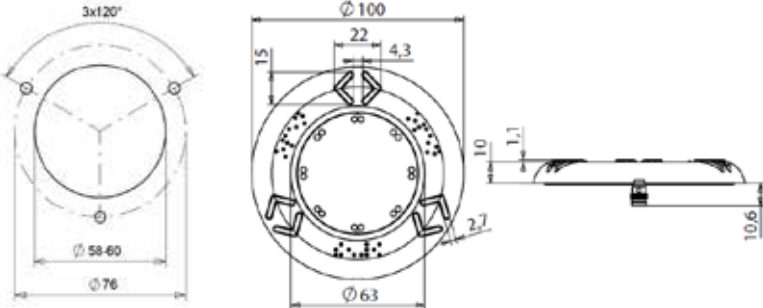

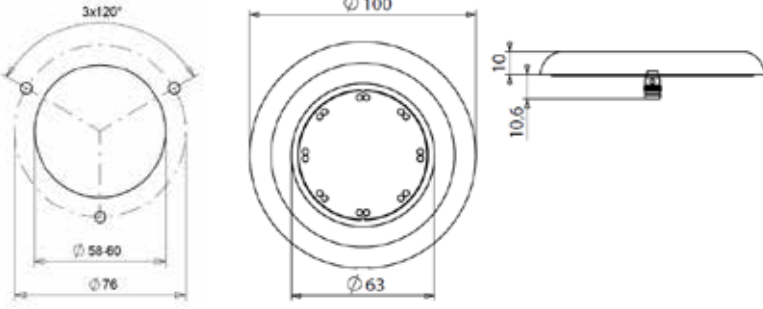
--- Please note the additional information and explanations on the following pages. Thank you! ---

**Additional information & explanations on the previously described configuration items:**

to <sup>1)</sup>:

Switching function - **Dynamic:** The output signal is time-limited to 300ms, independent of the duration of actuation.

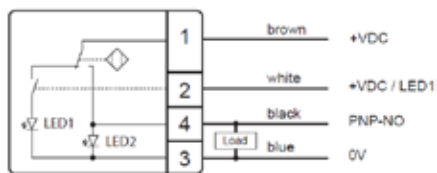
to <sup>2)</sup> / **Version of coloured cover ring:**

<p><b>„2“ – Standard version, V-mounting</b></p>  <ul style="list-style-type: none"> <li>- 3x lettering „CAPTRON“</li> <li>- 3x braille „OPEN“</li> </ul>	 <p>hole pattern (V-mounting)</p> <p style="text-align: right;"><b>All dimensions in mm</b></p>
<p><b>„2 ... T6“ - TSI-PRM compliant; V-mounting</b></p>  <ul style="list-style-type: none"> <li>- 3x tactile Pictograms „&lt;“</li> <li>- 3x Braille „OPEN“</li> </ul>	 <p>hole pattern (V-mounting)</p> <p style="text-align: right;"><b>All dimensions in mm</b></p>
<p><b>„B“ - Blank cover ring, V-mounting</b></p>  <ul style="list-style-type: none"> <li>- without lettering</li> <li>- without tactile pictograms</li> <li>- without braille characters</li> </ul>	 <p>hole pattern (V-mounting)</p> <p style="text-align: right;"><b>All dimensions in mm</b></p>

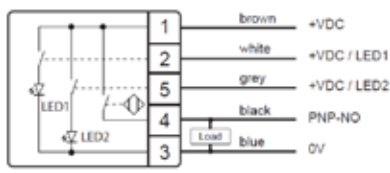
--- PLEASE TURN OVER ---

**to <sup>3)</sup> / LED control & connection diagram:**

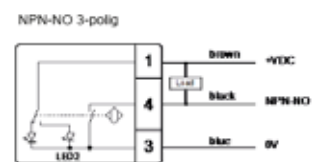
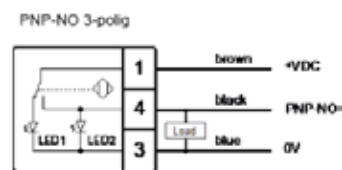
- LED control**
- **Semi-Automatic:** LED1 (e.g. green / operating state) can be controlled separately. When the SENSORswitch is actuated, LED1 goes out and LED2 (e.g. red / switching state) lights up.
  - **Manual:** Both LED1 and LED2 can be controlled separately as required.
  - **Automatic:** LED1 (= e.g. green) lights up in operating state. When the SENSORswitch is touched, LED1 goes out and LED2 (= e.g. red) lights up. **- this function is only available for connection diagram "W -**



**Connection diagram „P“**  
PNP-NO // Semi-Automatic



**Connection diagram „B“**  
PNP-NO // Manual



**Connection diagram „W“**  
PNP-NO / NPN-NO changeable by reversing polarity I // Automatic

**to <sup>4)</sup> / Types of connection:**

<p><b>Connector M8 („CHT4-_5_...“)</b></p> <p>4-pin   5-pin</p>	<p><b>Connector JST („CHT4-_6_...“)</b></p> <p>4-pin   5-pin</p>
<p><b>Connector AMP („CHT4-_4_...“)</b>   („CHT4-_1_...“)</p> <p>4-pin   5-pin</p>	<p><b>Single strands 200mm („CHT4-_7_...“)</b></p> <p>Single strands 200mm with ferrules (Wire end ferrules with plastic collar DIN 46228; wire cross-section strands 0.25 mm<sup>2</sup>)</p> <p>3-pin   4-pin   5-pin</p>

**You need support with the configuration?**

Our internal sales team will be happy to advise you on this (Tel.: +49 (0)8142 / 44 88 – 160; [sales@captron.com](mailto:sales@captron.com))

**You need data sheets and/or 3D data?**

Please also contact our internal sales department. Thank you.