

**Content:** [Short description / Technical data \(Page 1\)](#)  
[Configuration help \(Page 2\)](#)  
[Additional information / Connection diagram \(Page 3 & 4\)](#)

The CHT7 SENSORswitch series are designed for adhesive mounting on glass or other smooth surfaces such as aluminium, metal, etc. The capacitive SENSORswitches switch when the sensing surface is touched.

Actuation is only possible on one side from the inside of the vehicle or building.

For mounting on glass, we offer as an option a full-surface sight cover for the outside of the glass pane. Screen printing is not necessary here.

The CHT7 SENSORswitches are suitable as door opening buttons for highly frequented continuous use in buses, trains and in building technology. Equipped with Braille and raised pictograms on the colour ring (optional), 16 bright LEDs and vibration (optional), the SENSORswitches are particularly user-friendly for persons with limited mobility and children.

Please find below the most important features listed:

- Ø 63 mm switch surface
- Adhesive mounting
- 14 mm height inside
- Profile angle 90° (Option: 84° / 80° / 60°)
- 100% water and oil proof - IP69K
- Customization through symbols and colours of the cover ring
- TSI-PRM compliant – Pictograms and braille available, optical feedback by LEDs, no actuating force necessary
- Optional: tactile feedback (vibration)

CAPTRON can provide individual advice to enable you to choose the perfect product from the CHT7 series for the required specifications and applications.

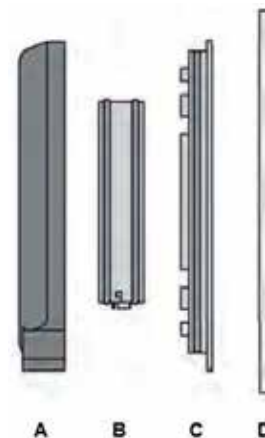
Please contact us:

Phone: +49 (0)8142 / 44 88 – 160

E-Mail: [sales@captron.com](mailto:sales@captron.com)

Legend:

- (A) = Coloured cover ring
- (B) = Sensor element
- (C) = Mounting flange
- (D) = Glass pane, acrylic or metal plate



Technical data at 24 V and 20 °C:			
Supply voltage:	DC 24V DC (16,8 ... 32V)	Voltage drop:	max. 3 V at 400 mA
Load current:	Max. 400 mA	Current consumption:	max. 20 mA at 24V DC
Output:	PNP-NO	Operation temperature:	-30 ... +80°C
Output signal:	approx. 300ms (Option „Dynamic“ <sup>1</sup> )	Degree of protection (IP):	Frontside & backside IP69K connector IP20
LED 1:	8 green LEDs	Type of operation:	Capacitive
LED 2:	8 red LEDs	Operation force:	No operation force required
Reverse polarity protection:	Protection of all lines	Type of connection:	connector JST
Short-circuit protection:	Short-circuit and overload protection		



## Configuration help CHT7-2 / CHT7-2.../PL

### Type code 1 – Standard Version <sup>2</sup>:

CHT7	-	C1	C2	C3	C4	O1	-	C5	/	TG	-	C6	/	O2	/	O3
		6		P								SR				

Example: CHT7 - 2 6 1 P - H / TG - SR / 84°

### Type code 2 – Version with sight cover <sup>2</sup>:

CHT7	-	C1	C2	C3	C4	O1	-	C5	/	TG	-	C6	/	PL	/	O2	/	O3
		6		P								SR						

#### C1 – Mounting / version of coloured cover ring

Code	Description
2	adhesive mounting on glass pane or smooth surface
1	adhesive mounting on glass panes - old version (only in combination with option O2 -> „CPM10“!) *

\* this option is only available with the coloured cover ring colour "sky blue"! this option is not available in combination with option O2 -> "T6"!

#### C2 – Type of connection <sup>5</sup>

Code	Description
6	Connector JST
-	-

#### C3 – Colour of the cover ring

Code	Description	
0	Traffic red (RAL 3020)	
1	Traffic green (RAL 6024)	
2	Sky blue (RAL 5015)	
5	Traffic yellow (RAL 1023)	
6	Traffic black (RAL 9017)	
K	Traffic grey A (RAL 7042)	

#### C4 – LED-control <sup>3</sup> / Numbers of pins / Supply voltage

Code	Description
P	Semi-Automatic / 4-pin / DC 24V

#### O1 – Option 1 / tactile feedback

V Tactile feedback (Vibration)

#### C5 – Symbol on switch surface

Code	Description	
30	White surface	
H	Hand (green on white)	

For further symbols please see our Symbol list ([Link](#)) \*

\* all symbols marke das „Standarrd“ are already available from 1 pieces / order up without any surcharge.

#### C6 – LED colours (LED1 – LED2)

Code	Description	
TG-SR	Green (LED1) / Red (LED2) - Standard	
-	-	
-	-	

#### O2 – Option 2 / Version of the coloured cover ring <sup>4</sup>

Code	Description
- (w/o)	Standard version
T6	TSI-PRM compliant
CPM10	with 2x braille „STOP“, without „CAPTRON“ -- only available with mounting "1"! --

#### O3 – Profile angle of the cover ring

Code	Description
- (w/o)	90° - Standard -
84°	84° angle version
80°	80° angle version
60°	60° angle version

--- Please note the additional information and explanations on the following pages. Thank you! ---

## Additional information & explanations on the previously described configuration items:

### to 1) / switching function

**Switching function** - *Dynamic:* The output signal is time-limited to 300ms, independent of the duration of actuation.

### Zu 2) / CHT7 version

**Version of the CHT7:**

- *Standard:*

In the "standard version", the SENSORswitch does not have a sight cover on the back. Therefore, this version is suitable for mounting on a printed glass pane, wall mounting or mounting on all other smooth, non-transparent surfaces

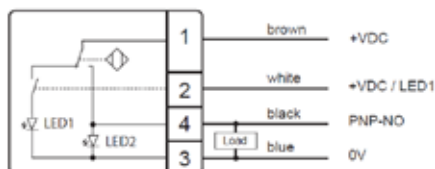
- *with sight cover:*

In this version, the SENSORswitch has a sight cover on the back. This makes it ideal for mounting on unprinted glass panes.

### to 3) / LED control


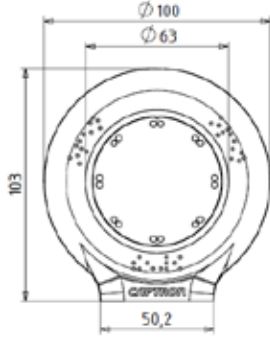



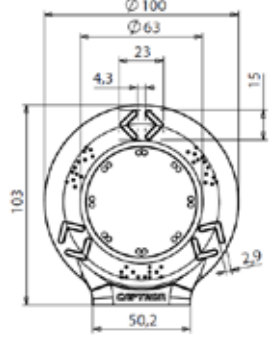


**LED control** - *Semi-Automatic:*

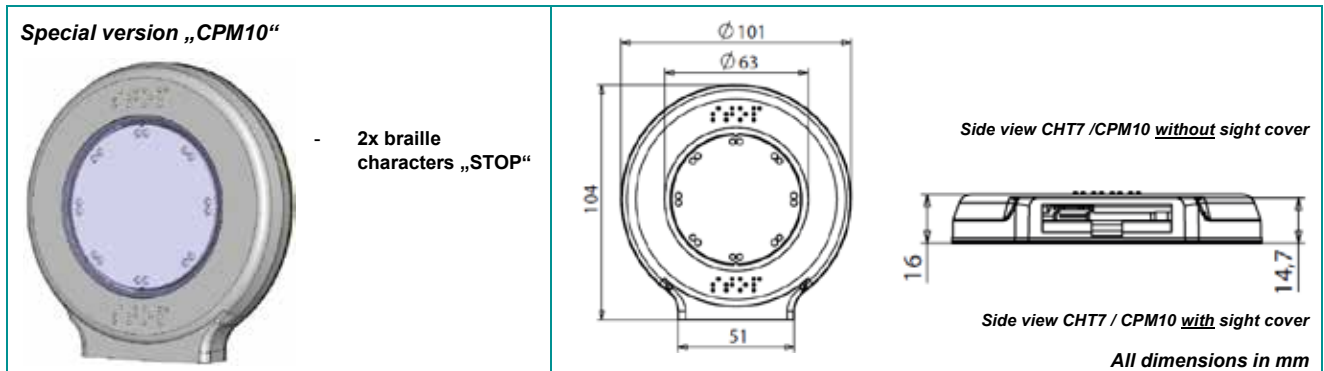
The LED1 (green / operating state) can be controlled separately. When the SENSORswitch is actuated, LED1 goes out and LED2 (red / switching state) lights up.



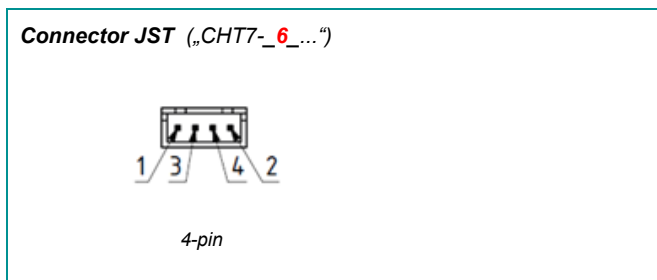
Connection diagram „P“  
PNP-NO // Semi-Automatic

### to 4) / versions of the coloured cover ring

<p><b>Standard coloured cover ring</b></p>  <ul style="list-style-type: none"> <li>- 1x lettering „CAPTRON“</li> <li>- 3x braille characters „OPEN“</li> </ul>		 <p>Side view CHT7 <u>without</u> sight cover</p>  <p>Side view CHT7 <u>with</u> sight cover</p> <p>All dimensions in mm</p>
<p><b>TSI-PRM compliant cover ring (T6)</b></p>  <ul style="list-style-type: none"> <li>- 3x tactile pictograms „&lt;&gt;“</li> <li>- 3x braille characters „OPEN“</li> </ul>		 <p>Side view CHT7 / T6 <u>without</u> sight cover</p>  <p>Side view CHT7 / T6 <u>with</u> sight cover</p> <p>All dimensions in mm</p>



**to <sup>4)</sup> / Types of connection:**



**You need support with the configuration?**

Our internal sales team will be happy to advise you on this (Tel.: +49 (0)8142 / 44 88 – 160; [sales@captron.com](mailto:sales@captron.com))

**You need data sheets and/or 3D data?**

Please also contact our internal sales department. Thank you.