

Content: [Short description / Technical data \(Page 1\)](#)
[Configuration help \(Page 2\)](#)
[Additional information / Connection diagram \(Page 2 & 3\)](#)

The CHT7 SENSORswitch series are designed for adhesive mounting on glass or other smooth surfaces such as aluminium, metal, etc. The capacitive SENSORswitches switch when the sensing surface is touched.

Actuation is only possible on one side from the inside of the vehicle or building.

The CHT7 SENSORswitches are suitable as door opening buttons for highly frequented continuous use in buses, trains and in building technology. Equipped with Braille and raised pictograms on the colour ring (optional), 16 bright LEDs and vibration (optional), the SENSORswitches are particularly user-friendly for persons with limited mobility and children.

The special metal housing design ensures a high-quality appearance.



Please find below the most important features listed:

- Ø 63 mm switch surface
- Adhesive mounting
- Profile angle 90°
- Customization through symbols
- 12 mm height inside
- 100% water and oil proof - IP69K

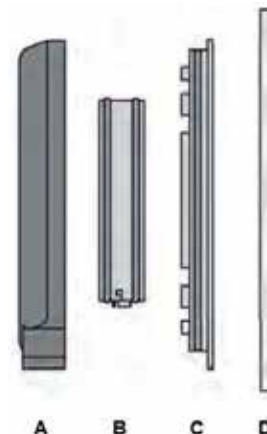
CAPTRON can provide individual advice to enable you to choose the perfect product from the CHT74 series for the required specifications and applications.

Please contact us:

Phone: +49 (0)8142 / 44 88 – 160
 E-Mail: sales@captron.com

Legend:

- (A) = Cover ring
- (B) = sensor element
- (C) = Mounting flange
- (D) = Glass pane, acrylic or metal plate



Technical data at 24 V and 20 °C:

Supply voltage:	DC 24 V DC (16,8 ... 32V)	Voltage drop:	max. 3 V at 400 mA
Load current:	max. 400 mA	Current consumption:	max. 20 mA at 24V DC
Output:	PNP-NO	Operation temperature:	-30 ... +80°C
Output signal:	approx. 300ms (Option „Dynamic“ ¹)	Degree of protection IP):	Frontside & backside IP69K connector IP20
LED 1:	8 green LEDs	Type of operation:	Capacitive
LED 2:	8 red LEDs	Operation force:	No operation force required
Reverse polarity protection:	Protection of all lines	Type of connection:	connector JST
Short-circuit protection:	Short-circuit and overload protection		



Configuration help CHT74-2

Type code:

CHT74 - C1 2 C2 6 C3 L C4 P - C5 / TG - C6 SR

Example: CHT74 - 2 6 L P - 30 / TG - SR

C1 - Mounting

Code	Description
2	adhesive mounting on glass pane or smooth surface

C2 - Type of connection ⁴

Code	Description
6	Stecker JST

C3 - Material of cover ring ³

Code	Description
L	Aluminium – titanium silver coated

C4 - LED control ² / Numbers of pins / Output

Code	Description
P	Semi-Automatic / 4-pin / PNP-NO / DC 24 V

C5 - Symbol on switch surface

Code	Description
30	White surface
272	„<>“ (black on white)



C6 - LED colours (LED1 – LED2)

Code	Description
TG-SR	Green (LED1) / Red (LED2) - <i>Standard</i>
-	-
-	-

Additional information & explanations on the previously described configuration items:

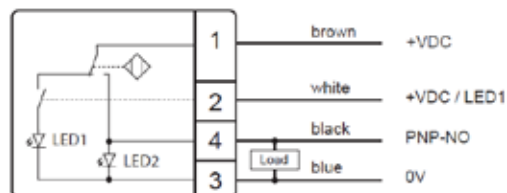
to ¹ / switching function

Switching function - *Dynamic*: The output signal is time-limited to 300ms, independent of the duration of actuation.

to ² / LED control:

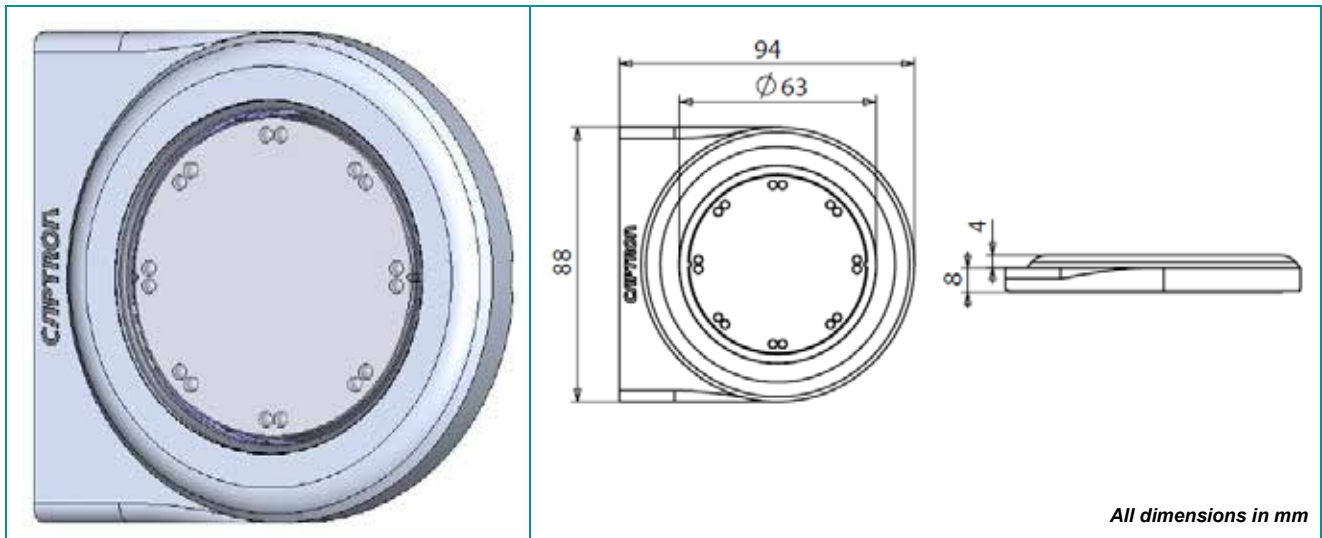
LED control - *Semi-Automatic*:

The LED1 (green / operating state) can be controlled separately. When the SENSORswitch is actuated, LED1 goes out and LED2 (red / switching state) lights up.



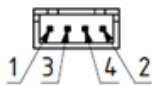
Connection diagram „P“
PNP-NO // Semi-Automatic

to ³⁾ / Product dimensions:



to ⁴⁾ / Types of connection:

Connector JST („CHT74-6_...“)



4-pin

You need support with the configuration?

Our internal sales team will be happy to advise you on this (Tel.: +49 (0)8142 / 44 88 – 160; sales@captron.com)

You need data sheets and/or 3D data?

Please also contact our internal sales department. Thank you.