

Content: [Short description / Technical data \(Page 1\)](#)
[Configuration help \(Page 2\)](#)
[Additional information / Connection diagram \(Page 3 & 4\)](#)

The capacitive SENSORswitches of the CHT9-G series are designed for adhesive mounting on glass or other smooth surfaces such as aluminium, metal etc.

Apart from the sensor element, no further mounting holes are required.

The hygienic version CHT9-G is mounted on a mounting support and can be sealed e.g. with silicone to achieve a high hygienic level.

The CHT9-G SENSORswitches are used in the pharmaceutical and medical sectors, but also in building technology. The operator receives optical feedback via 16 LEDs.



Please find below the most important features listed:

- Ø 100 mm total diameter
- Ø 69 - 72 mm mounting hole required
- 5mm height
- adhesive mounting, no screws required
- Optical feedback via LEDs
- Hygienic; full-surface front made of hardened glass
- Hygienic cleaning possible
- Customization through symbols
- 100% water and oil proof - IP69K
- Sensor completely sealed in cast resin.

CAPTRON can provide individual advice to enable you to choose the perfect product from the CHT9-G series for the required specifications and applications.

Please contact us:

Phone: +49 (0)8142 / 44 88 – 160

E-Mail: sales@captron.com

Technical data at 24 V and 20 °C:			
Supply voltage:	DC 24V (16,8 ... 32V)	Reverse polarity protection:	Protection of all lines
	DC 12 V (10,8 ... 14V) - Option -	Short-circuit protection:	Short-circuit and overload protection
Load current:	Max. 400 mA	Voltage drop:	max. 3 V at 400 mA
Output:	PNP-NO	Current consumption:	max. 30 mA at 24V DC
	PNP / NPN changeable by reversing polarity (Option)	Operation temperature:	-30 ... +80°C
Output signal:	approx. 300ms („Dynamic“) ¹	Degree of protection (IP):	Frontside IP69K
LED 1:	8 green LEDs	Type of operation:	Capacitive
LED 2:	8 red LEDs	Operation force:	No operation force required

Configuration CHT9-G (Hygienic)



Type code:

CHT9	-	C1 G	C2	C3 C	C4	-	C5	/	-	C6	/	O1
------	---	----------------	-----------	----------------	-----------	---	-----------	---	---	-----------	---	-----------

Example: CHT9 - G 5 C P - H / TG - SR

C1 – Mounting / version of the coloured cover ring ²

Code	Description
G	Adhesive mounting / hardened glass
-	-
-	-
-	-

C2 - Type of connection ⁴

Code	Description
1	Cable + connector AMP 6,3 (Pin-assignment: 1-2-4-3) *
4	Cable + connector AMP 6,3 (Pin-assignment: 1-4-2-3) *
5	Connector M8
6	Connector JST
7	Single strands 200mm with ferrules

* only available with the LED function "Semi-Automatic (4-pin)"!

C3 – Colour of the coloured cover ring

Code	Description
C	Traffic white (RAL 9016)
-	-
-	-
-	-
-	-
-	-
-	-
-	-

C4 - LED-control ³ / Numbers of pins / Supply voltage

Code	Description
P	Semi-Automatic / 4-pin / PNP-NO / DC 24V
B	Manual / 5-pin / PNP-NO / DC 24V
W	Automatic / 3-pin / PNP/NPN-NO changeable by reversing polarity * / DC 24V
G	Semi-Automatic / 4-pin / PNP-NO / DC 12V
-	-

* currently only available with the connection type "7- single strands"!

C5 - Symbol on switch surface

Code	Description
30	White surface
H	Hand (green on white)



For further symbols please see our Symbol list ([Link](#))*

* all symbols marked as „Standard“ are already available from 1 pieces / order up without any surcharge

C6 – LED colours (LED1 – LED2)

Code	Description
TG-SR	Green (LED1) / Red (LED2) - Standard
TG-YW	Green (LED1) / Yellow (LED2)
BU-SR	Blue (LED1) / Red (LED2)

O1 - Option 1 / Switching distance

Code	Description
- (w/o)	Standard switching distance
CP12	Increased switching distance
-	-

--- Please note the additional information and explanations on the following pages. Thank you! ---


Additional information & explanations on the previously described configuration items:

to ¹⁾ / Switching function:

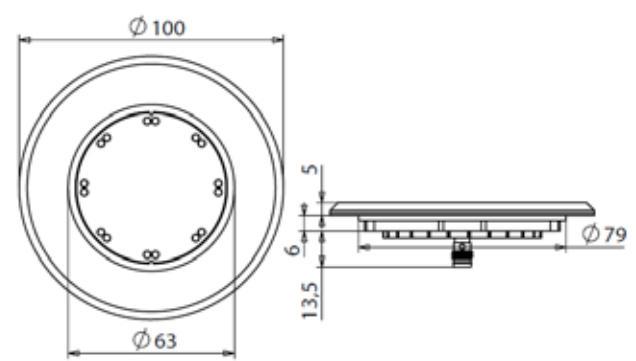
Switching function - *Dynamic*: The output signal is time-limited to 300ms, independent of the duration of actuation.

to ²⁾ / Version of coloured cover ring:

„G“ - glass version (Hygienic)



- Without lettering
- Without tactile Pictograms
- Without Braille



All dimensions in mm

to ³⁾ / LED control

LED control - *Semi-Automatic*:

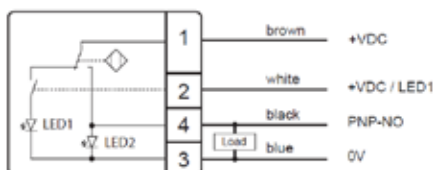
LED1 (e.g. green / operating state) can be controlled separately. When the SENSORswitch is actuated, LED1 goes out and LED2 (e.g. red / switching state) lights up.

- *Manual*:

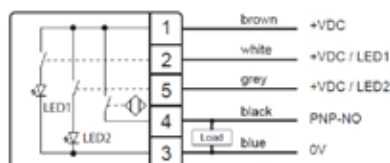
Both LED1 and LED2 can be controlled separately as required..

- *Automatic*:

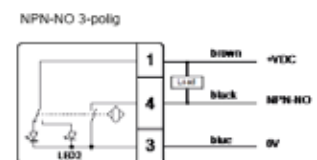
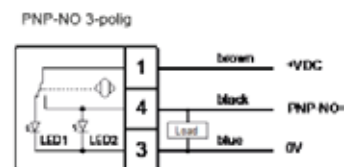
LED1 (= e.g. green) lights up in operating state. When the SENSORswitch is touched, LED1 goes out and LED2 (= e.g. red) lights up.
- this function is only available for connection diagram "W" -



Connection diagram „P“
PNP-NO // Semi-Automatic



Connection diagram „B“
PNP-NO // Manual



Connection diagram „W“
PNP-NO / NPN-NO changeable by reversing polarity I // Automatic

to ⁴⁾ / Types of connection:

<p>Connector M8 („CHT9-5_...“)</p> <p style="text-align: center;">4-pin 5-pin</p>	<p>Connector JST („CHT9-6_...“)</p> <p style="text-align: center;">4-pin 5-pin</p>
<p>Connector AMP („CHT9-4_...“)</p> <p style="text-align: center;">4-pin 4-pin</p> <p style="text-align: center;">(„CHT9-1_...“)</p>	<p>Single strands 200mm („CHT9-7_...“)</p> <p style="text-align: center;">Single strands 200mm with ferrules (Wire end ferrules with plastic collar DIN 46228; wire cross-section strands 0.25 mm²)</p> <p style="text-align: center;">3-pin 4-pin 5-pin</p>

Available accessories:

	<p>Mounting support for CHT9-G type SENSORswitches</p> <ul style="list-style-type: none"> - Available material <ul style="list-style-type: none"> o Aluminium natural anodized = AH9-1X9/CPM09-2 o Strainless steel V4A = AH9-1X8/CPM09-2 - The mounting of the mounting support is carried out by screw mounting; the CHT9-G SENSOR button is then glued on.
	<p>Connection cable for the SENSORswitches type CHT9-G</p> <ul style="list-style-type: none"> - Connection cable with M8 socket. Length = 5m * <ul style="list-style-type: none"> o with straight M8 socket; 4-pin / 5-pin = TKG-40-5 // TKG-50-5 o with angled M8 socket, 4-pin / 5-pin = TKW-40-5 /// TKW-50-5 - Connection cable with JST socket; length = 5m * <ul style="list-style-type: none"> o with JST socket; 4-pin / 5-pin = CHT-46-5 // CHT-56-6 <p style="text-align: right;">* other cable lengths available on request.</p>

You need support with the configuration?

Our internal sales team will be happy to advise you on this (Tel.: +49 (0)8142 / 44 88 – 160; sales@captron.com)

You need data sheets and/or 3D data?

Please also contact our internal sales department. Thank you.