

Content: [Short description / Technical data \(Page 1\)](#)
[Configuration help \(Page 2\)](#)
[Additional information / Connection diagram \(Page 3 & 4\)](#)

The capacitive SENSORswitches **CHT9-Y** series are designed for screw mounting on smooth surfaces or profiles.

The CHT9-Y SENSORswitches are primarily used in plant automation, but also in building technology. The SENSORswitches can be supplied with an acoustic or tactile feedback via signal tone or vibration in addition to the optical feedback.



Please find below the most important features listed:

- Ø 63 mm switch surface
- Robust die-cast aluminium housing
- For high design requirements
- 56,3mm height
- 100% water and oil-proof - IP69K
- Screw mounting
- Switches on touch - high operating comfort, no pressure necessary
- Customization through symbols
- Optional: Acoustic feedback (signal tone) / Tactile feedback (vibration)

CAPTRON can provide individual advice to enable you to choose the perfect product from the CHT9-Y series for the required specifications and applications.

Please contact us:

Phone: +49 (0)8142 / 44 88 – 160

E-Mail: sales@captron.com

Technical data at 24 V and 20 °C:			
Supply voltage:	DC 24V (16,8 ... 32V)	Reverse polarity protection:	Protection of all lines
	DC 12 V (10,8 ... 14V) - Option -	Short-circuit protection:	Short-circuit and overload protection
Load current:	Max. 400 mA	Voltage drop:	max. 3 V at 400 mA
Output:	PNP-NO	Current consumption:	max. 30 mA at 24V DC
	PNP / NPN changeable by reversing polarity (Option)	Operation temperature:	-30 ... +80°C
Output signal:	approx. 300ms („Dynamic“) ¹	Degree of protection (IP):	Frontside IP69K
LED 1:	8 green LEDs	Type of operation:	Capacitive
LED 2:	8 red LEDs	Operation force:	No operation force required



Configuration help CHT9-Y

Type code 1 – with connection type „Connector M12“ ²:

CHT9	-	C1 Y	C2 8	C3 6	C4	O1	-	C5	/	-	C6	/	O2	/	CPM31
------	---	----------------	----------------	----------------	-----------	-----------	---	-----------	---	---	-----------	---	-----------	---	-------

Example: CHT9 - Y 8 6 P - H / TG - SR / CPM31

Type code 2 – with connection type „Connector M8 / Single strands 200mm“ ²:

CHT9	-	C1 Y	C2	C3 6	C4	O1	-	C5	/	-	C6	/	O2
------	---	----------------	-----------	----------------	-----------	-----------	---	-----------	---	---	-----------	---	-----------

C1 – Mounting / Design of the housing ²

Code	Description
Y ... CPM31	Screw mounting / die-cast aluminium housing, with M12 plug
Y (w/o CPM31)	Screw mounting / die-cast aluminium housing, with PG gland

C2 – Type of connection ⁴

Code	Description
8	Connector M12 (see type code 1)
5	Connector M8 (see type code 2)
7	Single strands 200mm with ferrules (see type c. 2)
-	-
-	-

C3 – Colour of the coloured cover ring *

Code	Description
6	Traffic black (RAL 9017)
-	-
-	-
-	-
-	-
-	-
-	-
-	-

* currently no other colours available except traffic black.

C4 – LED-control ³ / Numbers of pins / Supply voltage

Code	Description
P	Semi-Automatic / 4-pin / PNP-NO / DC 24V
B	Manual / 5-pin / PNP-NO / DC 24 V
W	Automatic / 3- pin / PNP/NPN-NO changeable by reversing polarity * / DC 24V
G	Semi-Automatic / 4-pin / PNP-NO / DC 12V
-	-

* currently only available with the connection type "7- single strands"!

O1 – Option 1 / Acoustic and tactile feedback

Code	Description
S	Acoustic feedback (signal tone) *
V	Tactile feedback (vibration) *
-	-

* only available with the LED functions "P - Semi-Automatic" and "B – Manual"!

C5 – Symbol on switch surface

Code	Description
30	White surface
H	Hand (green on white)

For further symbols please see our Symbol list ([Link](#))*

* all symbols marked as „Standard“ are already available from 1 pieces / order up without any surcharge.

C6 – LED colours (LED1 – LED2)

Code	Description
TG-SR	Green (LED1) / Red (LED2) - Standard
TG-YW	Green (LED1) / Yellow (LED2)
-	-

O2 – Option 2 / Switching distance

Code	Description
-(w/o)	Standard switching distance
CP12	Increased switching distance
-	-

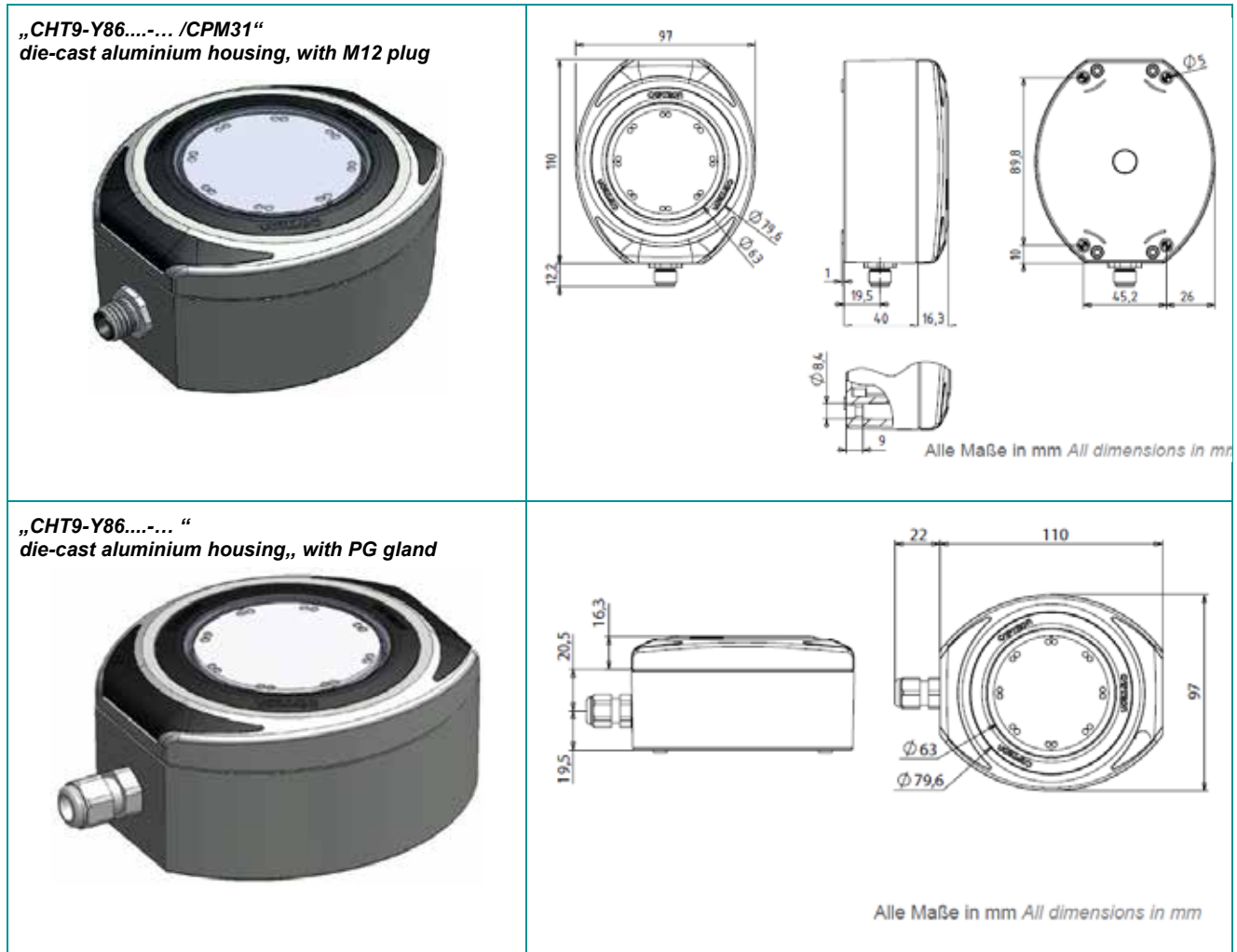
--- Please note the additional information and explanations on the following pages. Thank you! ---

Additional information & explanations on the previously described configuration items:

to ¹⁾ / Switching function:

Switching function - *Dynamic:* The output signal is time-limited to 300ms, independent of the duration of actuation.

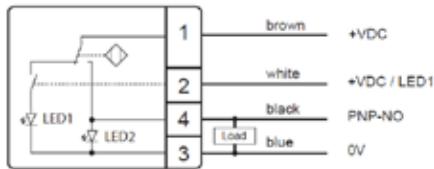
to ²⁾ / Design of the housing:



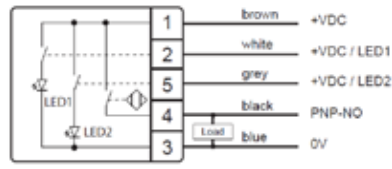
to ³⁾ / LED control & connection diagram:

- LED control**
- *Semi-Automatic:* LED1 (e.g. green / operating state) can be controlled separately. When the SENSORswitch is actuated, LED1 goes out and LED2 (e.g. red / switching state) lights up.
 - *Manual:* Both LED1 and LED2 can be controlled separately as required.
 - *Automatic:* LED1 (= e.g. green) lights up in operating state. When the SENSORswitch is touched, LED1 goes out and LED2 (= e.g. red) lights up.
- **this function is only available for connection diagram "W" -**

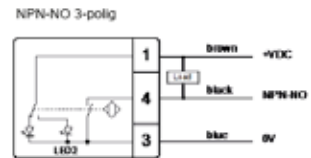
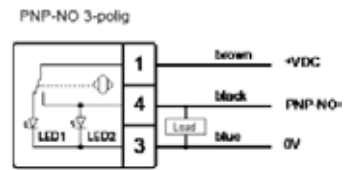
Connection diagram:



Connection diagram „P“ / „G“
PNP-NO // Semi-Automatic



Connection diagram „B“
PNP-NO // Manual



Connection diagram „W“
PNP-NO / NPN-NO changeable by reversing polarity I // Automatic

to 4) / Types of connection:

<p>Connector M12 („CHT9-Y8_...“)</p> <p>4-pin 5-pin</p>	<p>Connector M8 („CHT9-Y5_...“)</p> <p>4-pin 5-pin</p>
<p>Single strands 200mm („CHT9-Y7_...“)</p> <p>Single strands 200mm with ferrules (Wire end ferrules with plastic collar DIN 46228; wire cross-section strands 0.25 mm²)</p> <p>3-pin 4-pin 5-pin</p>	

You need support with the configuration?

Our internal sales team will be happy to advise you on this (Tel.: +49 (0)8142 / 44 88 – 160; sales@captron.com)

You need data sheets and/or 3D data?

Please also contact our internal sales department. Thank you.